

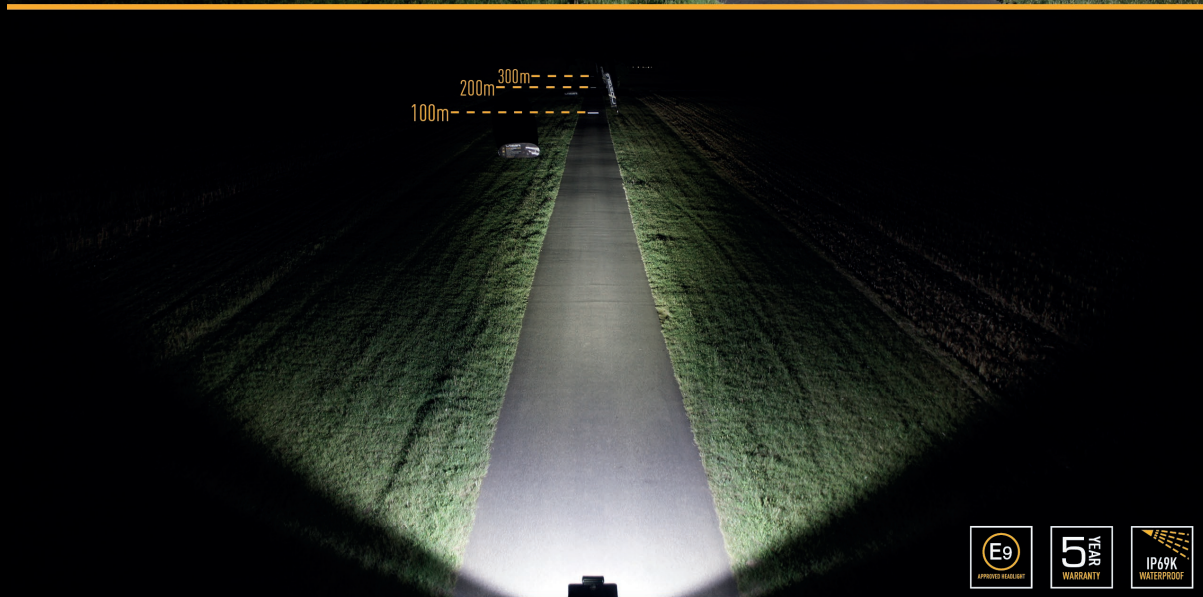
# LAZER

HIGH PERFORMANCE LIGHTING

## ST4 Evolution



The ST4 Evolution is a hugely versatile LED spotlight the size of which has proved particularly popular within the road tuning, pick-up truck and 4x4 markets. At 204mm length, the ST4 delivers incredible lighting performance which belies its diminutive size. Upgraded high-density 11W LEDs are carefully selected for their high 'bin' rating, and deliver 4,136 lumens, harnessed into a 'Drive' beam pattern optimised for lower speed applications where the priority is for good all-round visibility, albeit still with enviable distance illumination – 1 lux is achieved at 278m.



## HIGH PERFORMANCE LED DRIVING LAMPS

# LAZER

HIGH PERFORMANCE LIGHTING

## ST4 EVOLUTION



- 4x high density 11W LEDs (premium 'bin')
- Seamless, low profile design facilitates installation
- Dynamic drive modulation optimises light output to maximise LED lifetime
- Ultra-reflective optics deliver 'Drive' beam pattern
- E-coat pre-treatment provides maximum corrosion resistance



### TECHNICAL SPECIFICATIONS

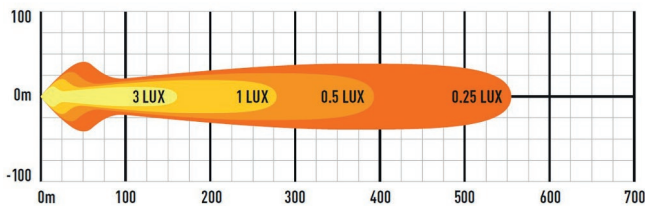


E-MARK REF	7.5
VOLTAGE RANGE	9V - 32V
RAW LUMENS	4136
BEAM PATTERN	Drive
BEAM DISTANCE (0.25LX)	555m
# HIGH POWER LEDS	4
POWER CONSUMPTION	47 Watts
CURRENT DRAW <sup>†</sup>	3.3 Amps
LED LIFE	50,000 Hrs*
WEIGHT	670g

\* LED Manufacturers Specifications †At 14.4 Volts

### ST4

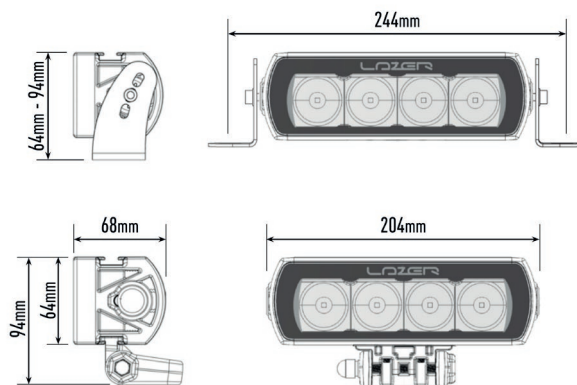
GENERATED FROM BSI LAMP PHOTOMETRIC TEST DATA: ON ROAD MEASUREMENT DATA



### MOUNTING OPTIONS:



(Side Bracket kit sold separately)



### LAZER LAMPS LTD

Units 1+2, Harlow Mill Business Centre, Riverway, Harlow, Essex. CM20 2FD. UK

Tel: +44(0)1992 677374

Email: sales@lazerlamps.com

www.lazerlamps.com

# LAZER

HIGH PERFORMANCE LIGHTING

